

3-way Triaxial Speaker ICx 693

6"x9" | 280 Watt Max.Power



Sales start

November 2015

Order number

1 061 556 160 001

EAN code

4260 275 272 854

Highlights

- 3-way triaxial speaker
- 6"x9" diameter
- Tweeter with Neodymium magnet
- 280 Watt maximum power handling
- 40 Watt nominal power handling
- Injected PP membrane
- Foam surround
- Kapton voice coils for midrange and woofer
- Magnet with EXP design causing less distortion
- Installation depth 83 mm / 3.29"
- Design grille with metal mesh
- Ceiling mounting is possible
- Accessories: including design grille, cables, mounting hardware and installation instructions
- Perfect price/performance ratio
- New design

DISTRIBUTED BY:

BLAUPUNKT TECHNOLOGY GMBH, ROBERT-BOSCH-STRASSE 200, 31139 HILDESHEIM, GERMANY | SALES-BPE@BLAUPUNKT.COM

3-way Triaxial Speaker ICx 693

6"x9" | 280 Watt Max.Power

Technical data

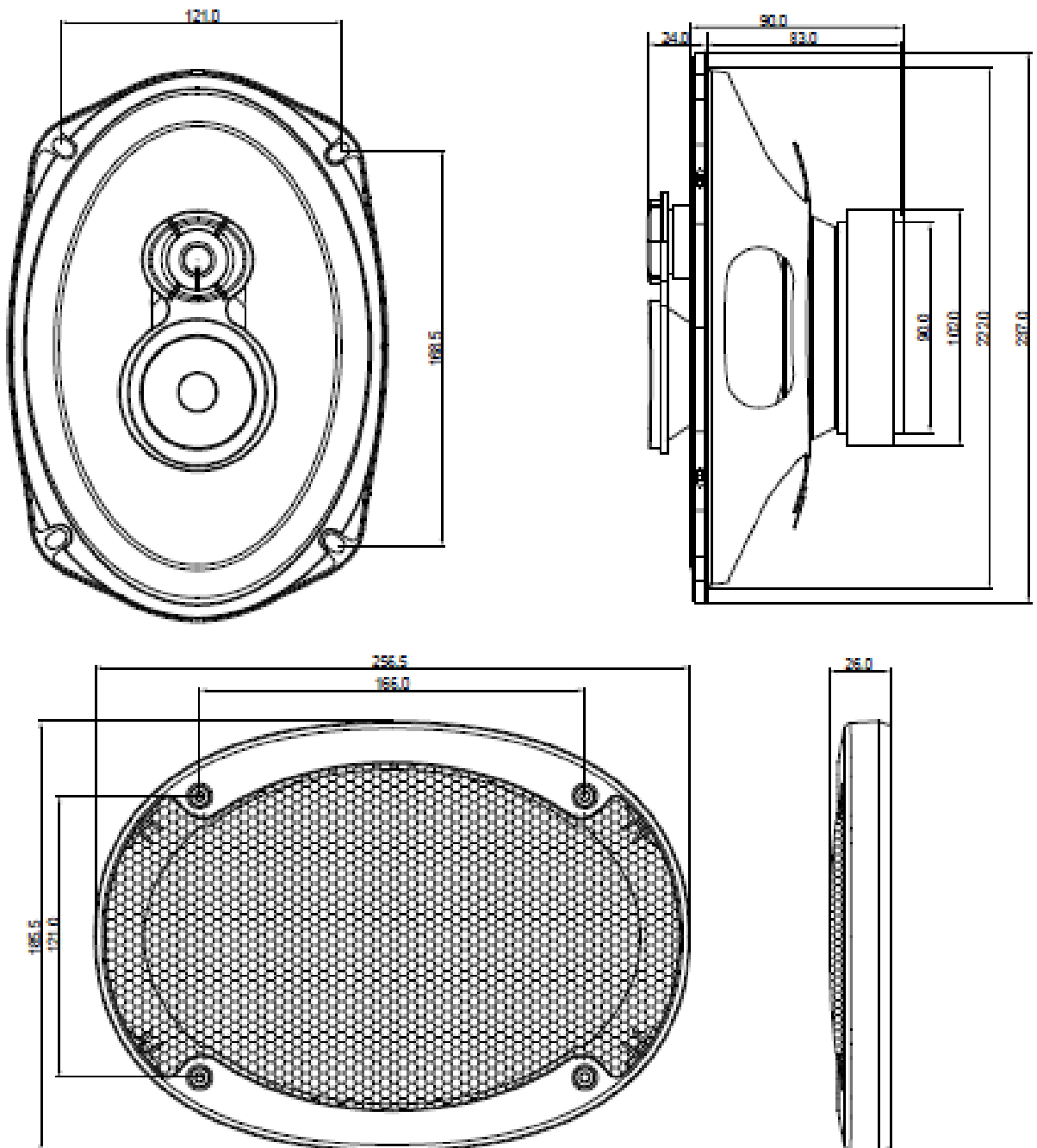
Product	ICx 693
System	3-Way Triaxial
Diameter	6"x9"
Maximum power handling	280 watts
Nominal power handling	40 watts
Nominal impedance	4 ohms
Frequency response	50 – 22.000 Hz
Efficiency (2,83 V/1 m)	91 dB
Woofers	<ul style="list-style-type: none"> Concept Single cone Cone material Injected Polypropylen (IPP) Cone color blue Surround material/color Rubber / black Voice coil diameter/material 31,5mm / 1.25" / Aluminum Voice coil layers 2 Basket material/color Steel / black Magnet material Ferrite Magnet size 100 x 60 x 20mm Magnet cover material/color - Connectors 2,8/5,2 mm
Midrange	<ul style="list-style-type: none"> Concept Dome tweeter Diameter 63mm / 2.5" Cone material Mylar Voice coil diameter/material 13mm / 0.5" / NSV Voice coil layers 2 Magnet material Ferrite Magnet size 45 x 22 x 7mm
Tweeter	<ul style="list-style-type: none"> Concept Dome tweeter Diameter 13mm / 0.5" Cone material PEI Voice coil diameter/material 13mm / 0.5" / Aluminum Voice coil layers 2 Magnet material Ferrite Magnet size 0.6 oz
Speaker cover	<ul style="list-style-type: none"> Cover material/color ABS / black Grille material/color Metal / black
Installation depth	83 mm / 3.29"
Diameter installation hole	223 x 155 mm / 8.78 x 6.10"
Weight (single speaker without cover)	1,47 kg
Delivery content	<ul style="list-style-type: none"> 2x Speakers 2x Design grilles 2x Speaker cables 8x Fixation screws 8x Pirate nuts User manual Cutting template
Packing concept	4-color gift box
No. of products in packing	1 pair / 2 pcs



3-way Triaxial Speaker ICx 693

6"x9" | 280 Watt Max.Power

Technical data



3-way Triaxial Speaker ICx 693

6"x9" | 280 Watt Max.Power

Logistic data

Pieces / Master Carton:	4 pcs
20ft. Container:	___ pcs
40ft. Container:	___ pcs
40ft.HQ Container:	___ pcs
Dimensions Product:	256,5 x 185,5 x 109 mm
Dimensions Gift Box:	388 x 263 x 117 mm
Dimensions Master Carton:	___ x ___ x ___ mm
Weight Product (net):	x,xx kg
Weight Product (brut):	x,xx kg
Weight Master Carton (brut):	xx,xx kg